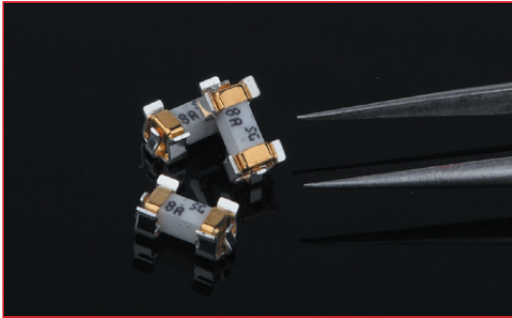


FEATURES :

- * Surface Mount Fuse Clip for 25H/25T
- * RoHS-Compliant Products



25HC/25TC SERIES

MATERIAL :

- * Silver plated Phosphor Bronze

SPECIFICATIONS :

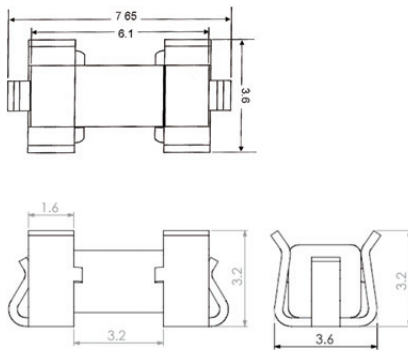
With 25H Fast-Acting Fuse Assembled :

Product Code	Ampere Rating	Voltage Rating AC/DC
25HC 0125	125 mA	125 V
25HC 0160	160 mA	125 V
25HC 0200	200 mA	125 V
25HC 0250	250 mA	125 V
25HC 0315	315 mA	125 V
25HC 0375	375 mA	125 V
25HC 0400	400 mA	125 V
25HC 0500	500 mA	125 V
25HC 0630	630 mA	125 V
25HC 0750	750 mA	125 V
25HC 0800	800 mA	125 V
25HC 1000	1 A	125 V
25HC 1250	1.25 A	125 V
25HC 1500	1.5 A	125 V
25HC 1600	1.6 A	125 V
25HC 2000	2 A	125 V
25HC 2500	2.5 A	125 V
25HC 3000	3 A	125 V
25HC 3150	3.15 A	125 V
25HC 3500	3.5 A	125 V
25HC 4000	4 A	125 V
25HC 5000	5 A	125 V
25HC 6300	6.3 A	125 V
25HC 7000	7 A	125 V
25HC 8000	8 A	125 V
25HC 10K	10 A	125 V
25HC 12K	12 A	65 V
25HC 15K	15 A	65 V

With 25T Time-Lag Fuse Assembled :

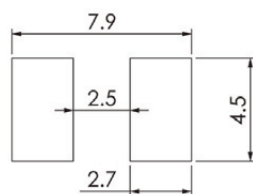
Product Code	Ampere Rating	Volage Rating AC/DC
25TC 0500	500 mA	125 V
25TC 0750	750 A	125 V
25TC 1000	1 A	125 V
25TC 1250	1.25 A	125 V
25TC 1500	1.5 A	125 V
25TC 2000	2 A	125 V
25TC 2500	2.5 A	125 V
25TC 3000	3 A	125 V
25TC 3500	3.5 A	125 V
25TC 4000	4 A	125 V
25TC 5000	5 A	125 V
25TC 7000	7 A	125 V

DIMENSIONS :



Unit : mm

LAND PATTERN :



Unit : mm

NOTE:

1. 1,500 fuses + clips (x2) in 16mm width Tape in ø33cm Reel
2. Consult PICO sales for the details.